



SPEED QUEEN® MULTI-HOUSING LAUNDRY SOLUTIONS

Single Classic Tumble Dryer

ST030

30 lb (14 kg)

Built for Reliable Performance

Our single pocket tumble dryers are designed with fewer moving parts, so that you'll face fewer maintenance problems and less wear and tear.

- Feature an axial airflow process that ensures heated air comes in contact with load at the optimum time in tumble process
- High-performance burners ignite instantly, providing the desired temperature quickly and distributing heat evenly and efficiently
- Extra-large stainless steel doors and heavy-duty hinges ensure these machines will stand up to repeated use of high-traffic laundry rooms
- Feature an all-belt drive system, which means they're less noisy and less expensive to maintain
- Fine mesh lint screen is self-cleaning, depositing lint into a large storage area for easy, once-per-day removal



Quantum® Gold

In addition to its network capabilities and off-site management features, Quantum® Gold offers additional owner and customer benefits such as PC/PDA programming and machine audit capabilities, as well as time-of-day pricing of up to a year in advance, a free "lucky cycle" for loyal customers and the ability to interface with the store owner's card manufacturer of choice. As gas prices continue to rise, Quantum Gold enables you to set dry cycle times right down to the second for maximum profitability.



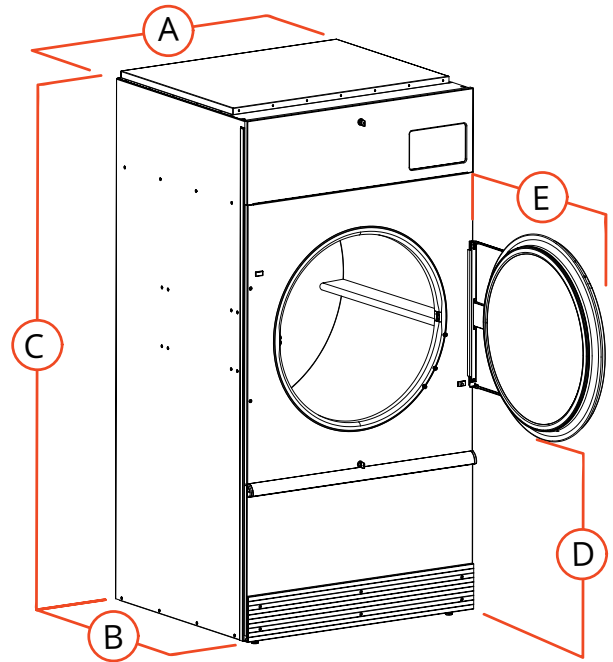
Micro-Display

Our Micro Display Control (MDC) clearly displays the vend price and keeps customers informed throughout the drying process with cycle status lights and a digital cycle countdown. Interfacing with a variety of aftermarket card reader systems, MDC offers four cycle selections, basic audit features and comes installed with a single coin drop.

Single Classic Tumble Dryer

Specifications

		ST030	
Control Option		Quantum Gold , MDC	
Capacity - lb (kg)		30 (14)	
Overall Width - in (mm)		28 (711)	
Overall Depth - in (mm)		46.9 (1191)	
Overall Height - in (mm)		63.9 (1625)	
Cylinder Diameter - in (mm)		26.5 (673)	
Cylinder Depth - in (mm)		30 (762)	
Cylinder Volume - cu. ft (liters)		9.6 (270)	
Reversing Cylinder		Option	
Door Opening Size - in (mm)		22.7 (576)	
Heat Input Power		Gas Models - Per Pocket	73,000 Btu/hr
		Electric Models	21kW
Gas Connections - in (npt)		0.5	
Air Outlet - in (mm)		6 (152)	
Motor - HP		Fan	0.25
		Cylinder	0.25
Airflow - cfm		50 Hz	430 (203)
		60 Hz	500 (236)
Electrical Specs - amps	Gas		
	A2	100/200-220V/60/1 2W+G	11.0/5.8
	B2	120/208-240V/60/1 2W/3W+G	12.0/6.7
	F6	200-208/240V/60/3 3W+G	3.2/3.2
	Q1	460-480V/60/3 3W+G	1.6
	A1	100/200V/50/1 2W+G	12.1/7.5
	J2	230-240V/50/1 2W+G	7.5
	M2	380/400-415V/50/3 3W+G	1.5/1.6
	Electric		
	F5	200-208V/60/3 3W+G	62
	J8	240V/60/3 3W+G	54
	Q1	460-480V/60/3 3W+G	27
	J2	230-240V/50/1 2W+G	95
M1	380V/50/3 3W+G	33	
N1	400-415V/50/3 3W+G	31	
Shipping Dimensions Approx.- in (mm)		Width	30 (760)
		Depth	49.0 (1245)
		Height	49 (1240)
Net Weight - lb (kg)		331 (150)	
Shipping Weight - lb (kg)		364 (165)	
Agency Approvals		CSA	



A.	Overall Width - in (mm)	28 (711)
B.	Overall Depth - in (mm)	46.9 (1191)
C.	Overall Height - in (mm)	63.9 (1625)
D.	Door Bottom to Floor - in (mm)	27.5 (700)
E.	Door Swing - in (mm)	26.3 (670)

Tumble dryer models are made to suit a variety of electrical service characteristics. See your Speed Queen route operator for specifications. For further details on installation, refer to Installation, Operation and Maintenance instructions supplied with the tumble dryer. Amperage ratings available in Installation Manual. For the most accurate information, the installation guide should be used for all design and construction purposes. Due to continuous product improvements, design and specifications subject to change without notice. The quality management systems of Alliance Laundry Systems are registered to ISO 9001.